



How to Get Started Using Binoculars

To get the clearest images out of your binoculars, you'll need to adjust them to your eyes. To do this, find a sign or another object that doesn't move, and stand about 30 feet away from it. Then follow these steps:

Step 1: Adjust the eye cups

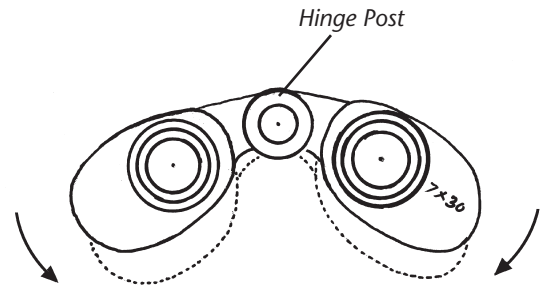
Most binoculars have adjustable **eye cups** on each eyepiece. These eye cups should be **DOWN** if you wear glasses, **UP** if you do not.

Step 2: Adjust the width

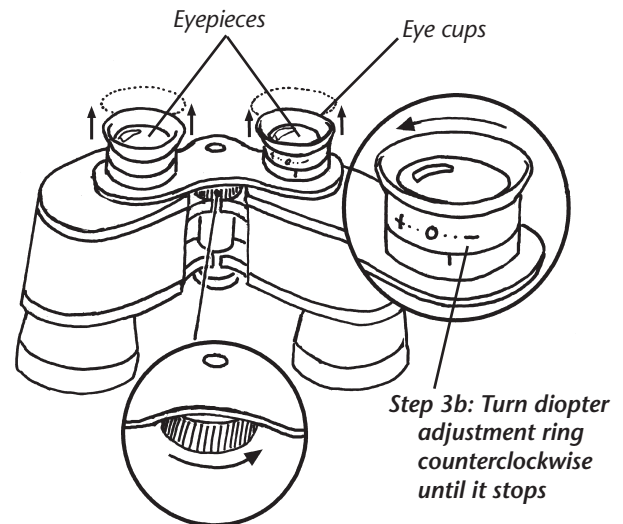
Binoculars have two **eyepieces** connected by a **hinge post** in the middle (see diagram). The eyepieces can move in and out to change how far apart they are. You want to set your eyepieces to match your eyes. To do this, first spread the eyepieces as far apart as they will go, then put the binoculars up to your eyes. Move the eyepieces together until you see the two circles merge into one.

Step 3: Set the focus

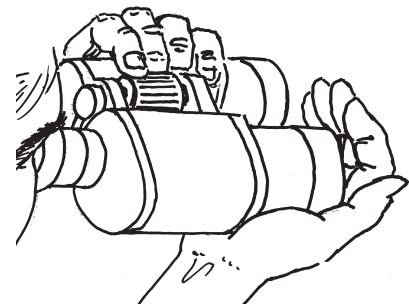
All binoculars have a **focus wheel**, usually in the middle, which changes the focus of both eyepieces at once. You use this wheel to focus your binoculars every time you look at a new bird. In addition to the focus wheel, most binoculars also have a **diopter adjustment ring**, which is a smaller wheel that adjusts a single eyepiece (usually the right one). Often the diopter is found on the eyepiece itself.



Step 2: Form one image



Step 3a: Turn center focus wheel counterclockwise until it stops



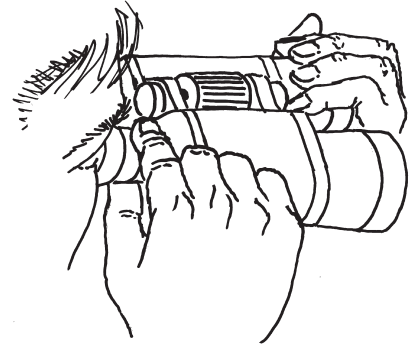
Step 3c: Focus left eyepiece with central focusing wheel

Successful Binocular Spying

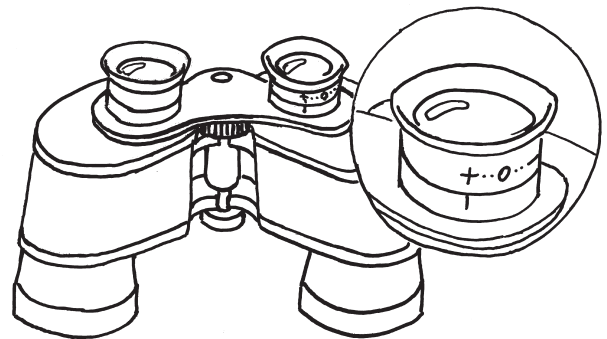
The diopter allows you to set the binoculars for your particular eyes, and you need to set it only once. To do so, start by turning both the diopter and the focus wheel counter-clockwise until they stop (3a and 3b). Now, cover the right eyepiece (or the one with the diopter adjustment ring). Looking through the left eyepiece with your left eye, turn the focus wheel until the sign comes into focus. Get it as sharp as you can (3c).

Next, cover the left eyepiece and look at the sign using only the right eyepiece. The sign will probably be a tiny bit blurry, so turn the diopter adjustment ring until it comes into focus. There! You've adjusted your binoculars to compensate for the difference between your two eyes. *Remember your setting in case it gets moved.*

From now on, to focus on something, you'll only need to turn the focus wheel.



Step 3d: Focus right eyepiece by turning the diopter adjustment ring



Step 3e: Note your diopter adjustment ring setting

Tips for Cleaning and Protecting Binoculars

1. Clean the lenses with a soft cloth. Make sure to gently brush off any dirt particles first, so that they don't scratch the glass.
2. Wipe off any metal parts so they don't rust.
3. When you're carrying your binoculars, keep them around your neck. Never swing them by the strap—accidentally banging them into a tree could throw them out of alignment or break them!
4. Protect your binoculars from rain. If water gets inside they can fog up, and mildew might grow in them.
5. If your binoculars do fog up, set them in a warm, dry place for a couple of days to dry out.

